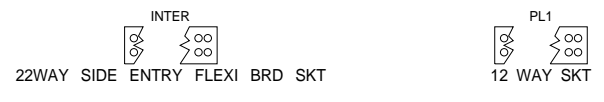
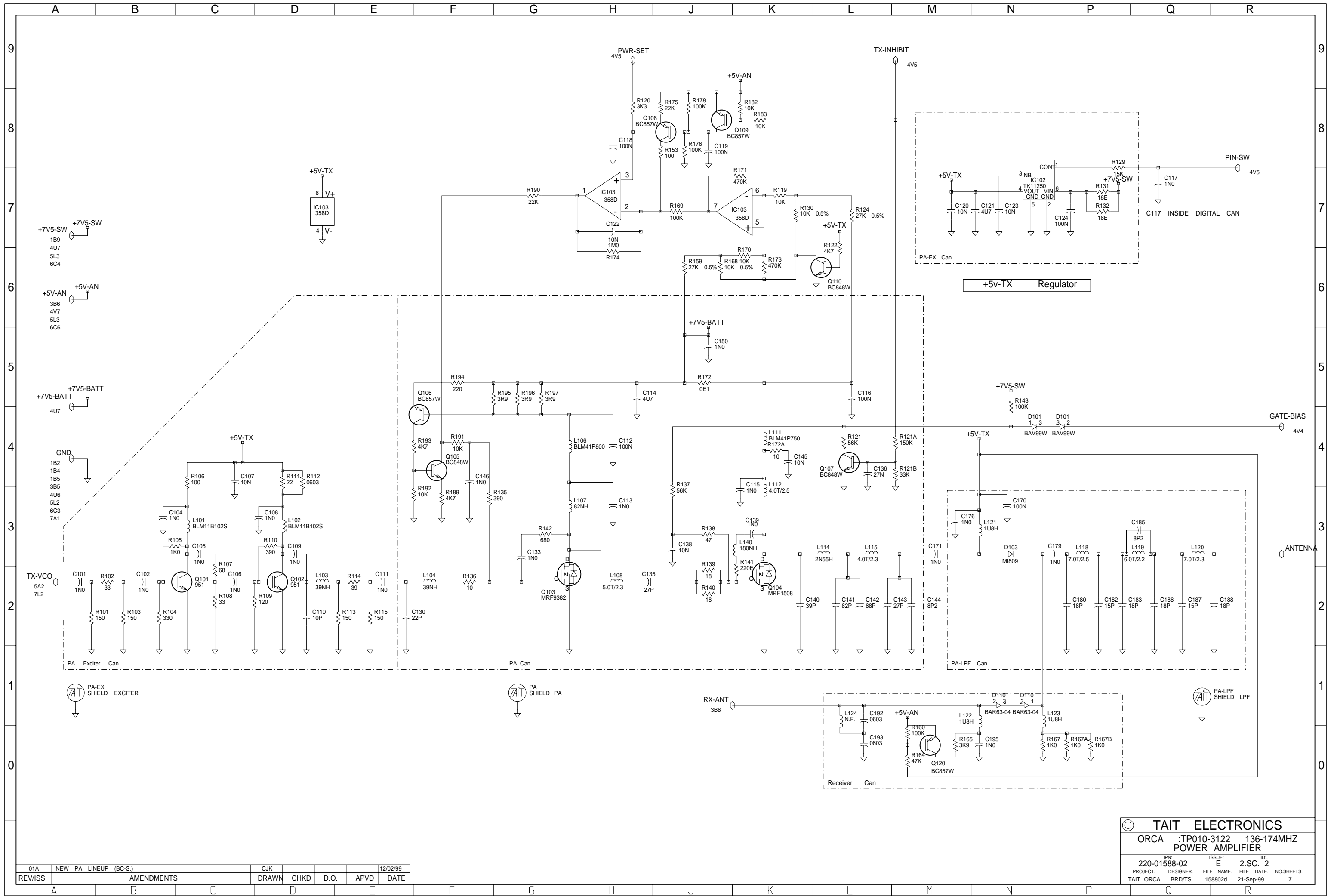


02E	BATT & MIC SEALS SIGNAL TO .NC. CCN No.1588-004	TS			21-09-99
02D	4 SPRING PINS NOW 356-01077-00 CCN 1588-003	TS			16-09-99
02B	PARTS ADDED TO SAVE POWER	BRD			11/06/99
02B	GEN-NEW PASTE SCREEN FOR DEK	BRD			02/06/99
02A	MINOR MOD TO CCT AND VALUES	SPICJK			25/05/99
01A	NEW PA LINEUP	BCS/CJK			12/02/99
REV/ISS	AMENDMENTS	DRAWN	CHKD	D.O.	APVD DATE



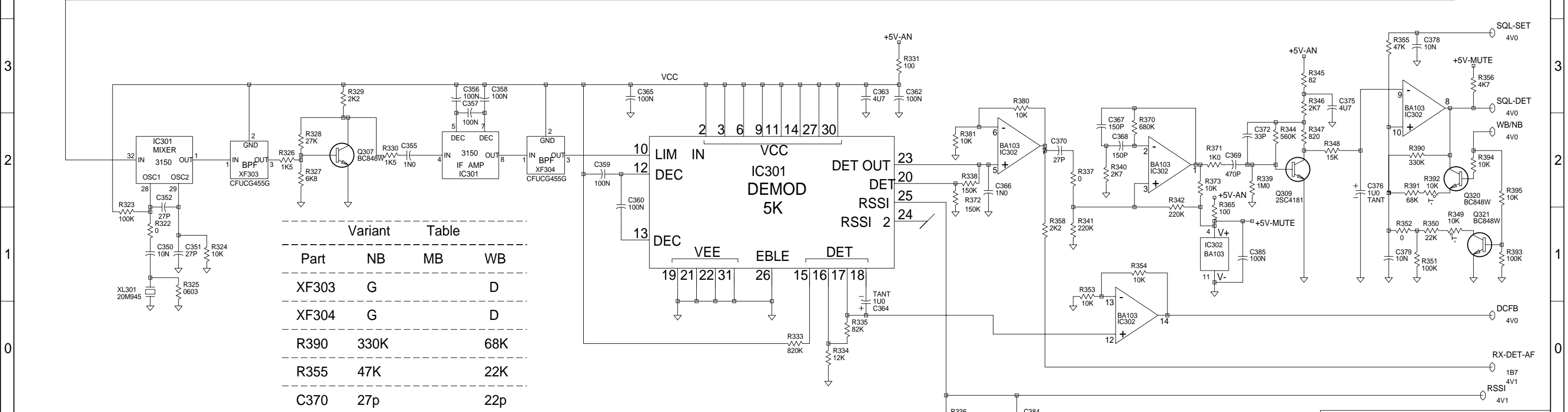
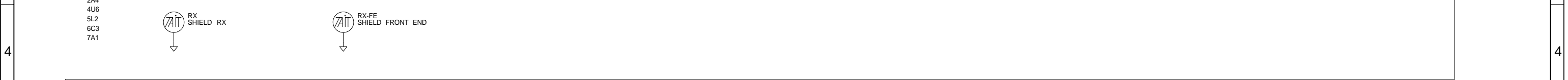
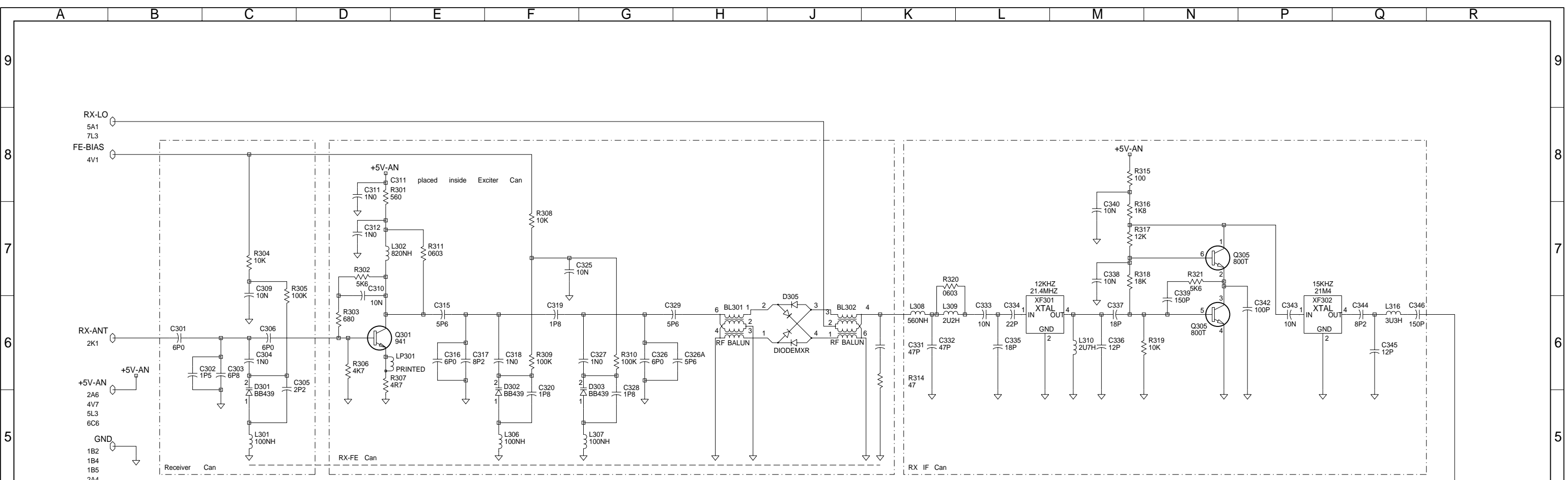
VHF
Tait Orca

© TAIT ELECTRONICS	
ORCA	:TP010-3122 136-174MHZ
SYSTEM DIAGRAM	
IPN: 220-01588-02	ISSUE: E 2.S.C. 1
PROJECT: TAIT ORCA	DESIGNER: BRD/TS
FILE NAME: 158802d	DATE: 21-Sep-99
NO. SHEETS: 7	



01A	NEW PA LINEUP (BC-S)	CJK				12/02/99
REV/ISS	AMENDMENTS	DRAWN	CHKD	D.O.	APVD	DATE

© TAIT ELECTRONICS
 ORCA :TP010-3122 136-174MHZ POWER AMPLIFIER
 IPN: 220-01588-02 ISSUE: E ID: 2.S.C. 2
 PROJECT: TAIT ORCA DESIGNER: BRD/TS FILE NAME: 158802d FILE DATE: 21-Sep-99 NO.SHEETS: 7

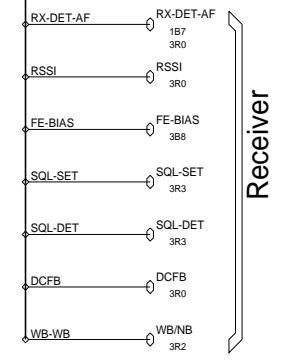
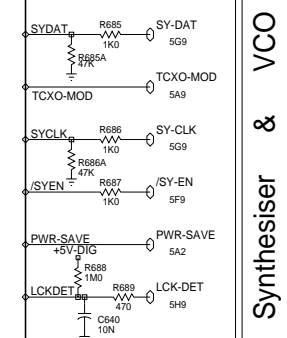
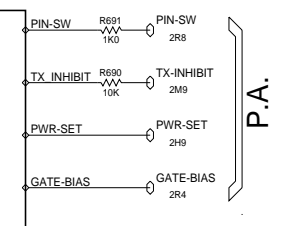
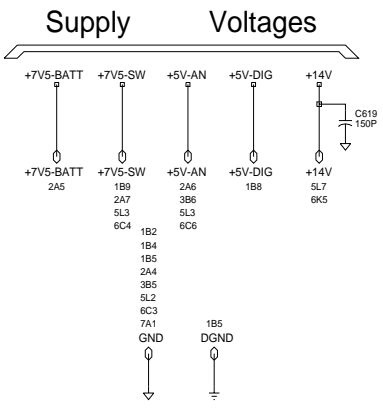
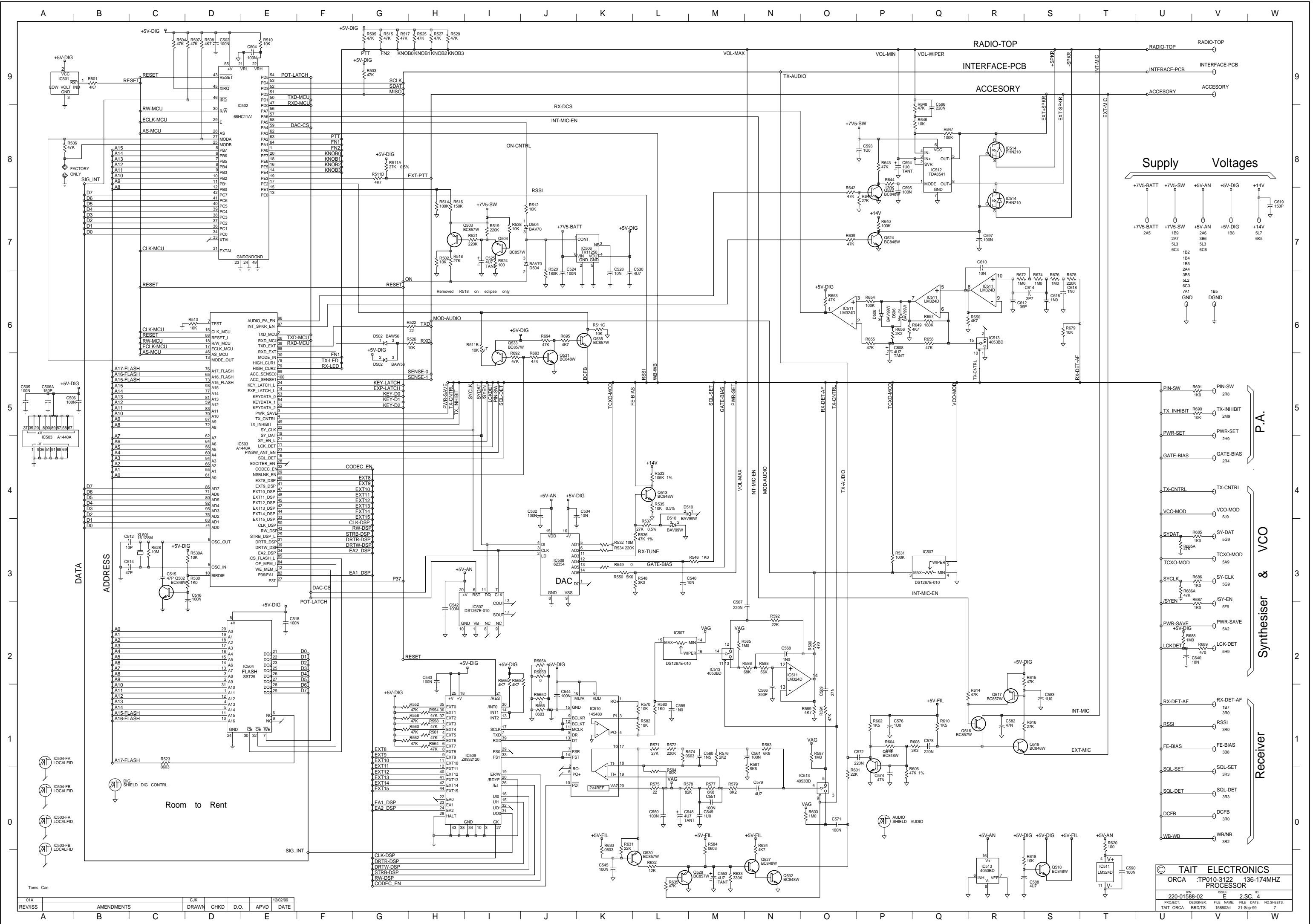


Variant Table

Part	NB	MB	WB
XF303	G		D
XF304	G		D
R390	330K		68K
R355	47K		22K
C370	27p		22p
C369	470p		330p

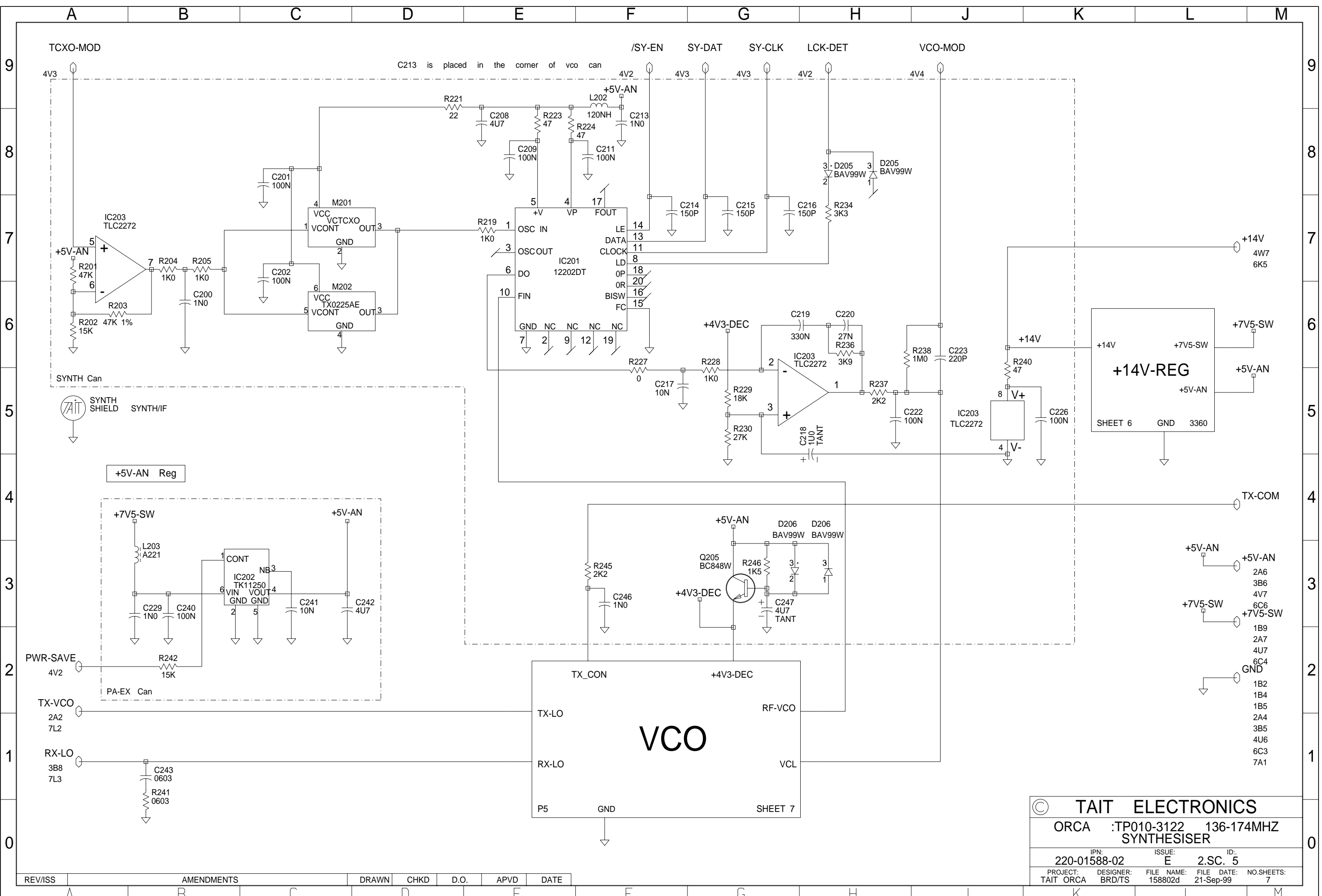
01A		CJK				12/02/99
REV/ISS	AMENDMENTS	DRAWN	CHKD	D.O.	APVD	DATE

© TAIT ELECTRONICS
 ORCA :TP010-3122 136-174MHZ RECEIVER
 IPN: 220-01588-02 ISSUE: E ID: 2.S.C. 3
 PROJECT: TAIT ORCA DESIGNER: BRD/TS FILE NAME: 158802d DATE: 21-Sep-99 NO.SHEETS: 7



REV/ISS	AMENDMENTS	DRAWN	CHKD	D.O.	APVD	DATE
01A						12/02/99

© TAIT ELECTRONICS
 ORCA :TP010-3122 136-174MHZ
 PROCESSOR
 220-01588-02 E 2-SC 4
 PRODUCT DESIGNER FILE NAME: FILE DATE: NO SHEETS
 TAIT ORCA BRDTS 1588024 21-Sep-99 7



C213 is placed in the corner of vco can

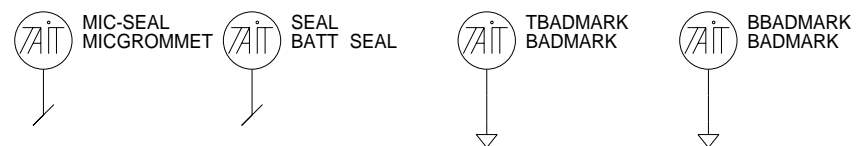
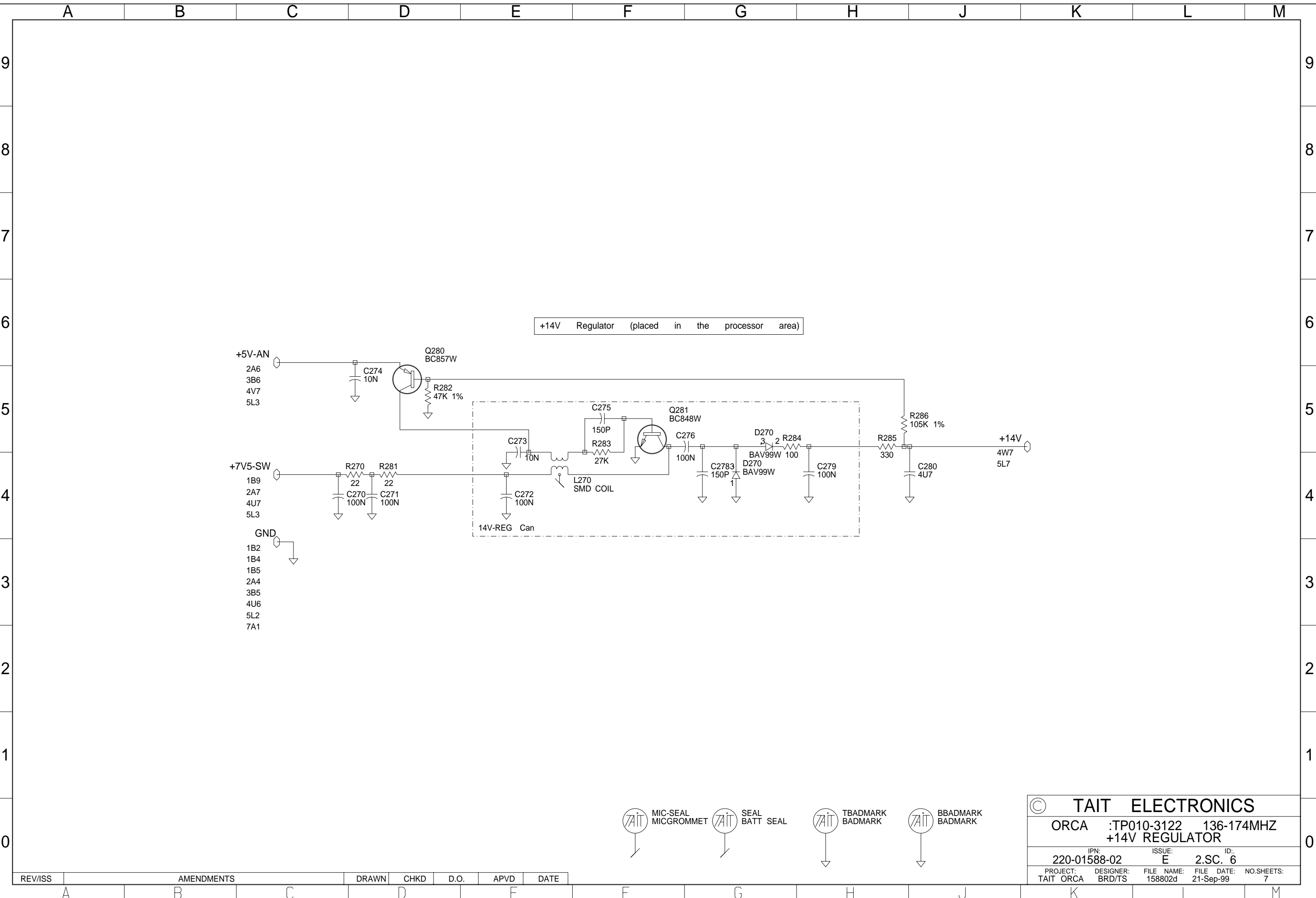
+14V-REG
SHEET 6
GND 3360

VCO
SHEET 7

© TAIT ELECTRONICS				
ORCA	:TP010-3122	136-174MHZ	SYNTHESISER	
IPN:	ISSUE:	ID:		
220-01588-02	E	2.SC. 5		
PROJECT:	DESIGNER:	FILE NAME:	FILE DATE:	NO.SHEETS:
TAIT ORCA	BRD/TS	158802d	21-Sep-99	7

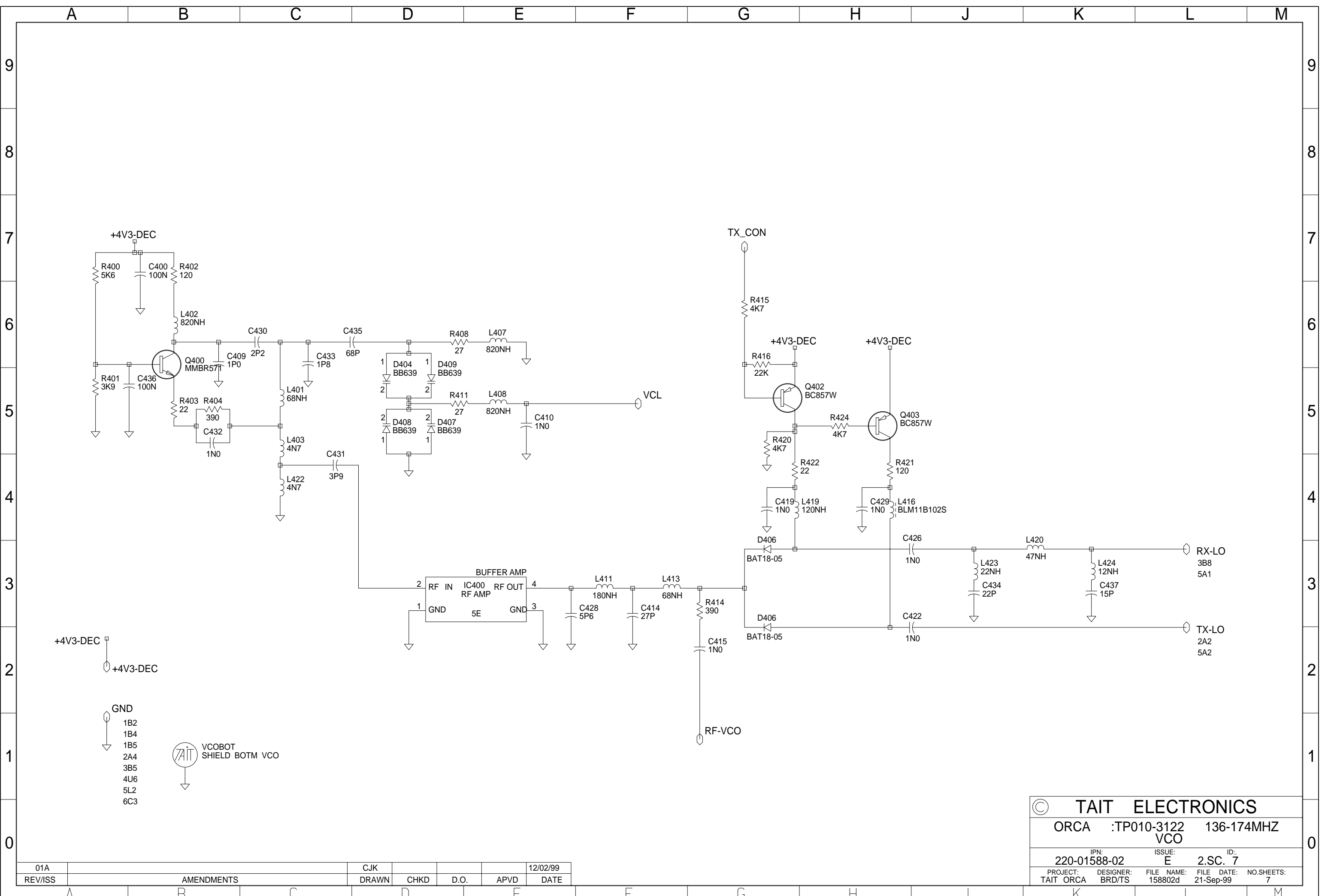
REV/ISS	AMENDMENTS	DRAWN	CHKD	D.O.	APVD	DATE

- +5V-AN 2A6
- +5V-AN 3B6
- 4V7 4V7
- +7V5-SW 6C6
- +7V5-SW 1B9
- 2A7 2A7
- 4U7 4U7
- 6C4 6C4
- GND 1B2
- 1B4 1B4
- 1B5 1B5
- 2A4 2A4
- 3B5 3B5
- 4U6 4U6
- 6C3 6C3
- 7A1 7A1



© TAIT ELECTRONICS				
ORCA	:TP010-3122	136-174MHZ	+14V REGULATOR	
IPN:	220-01588-02	ISSUE:	E	ID: 2.SC. 6
PROJECT:	TAIT ORCA	DESIGNER:	BRD/TS	FILE NAME: 158802d
		FILE DATE:	21-Sep-99	NO.SHEETS: 7

REV/ISS	AMENDMENTS	DRAWN	CHKD	D.O.	APVD	DATE
---------	------------	-------	------	------	------	------



01A		CJK				12/02/99
REV/ISS	AMENDMENTS	DRAWN	CHKD	D.O.	APVD	DATE

© TAIT ELECTRONICS

ORCA :TP010-3122 136-174MHZ
VCO

IPN: 220-01588-02 ISSUE: E ID: 2.SC. 7

PROJECT: TAIT ORCA DESIGNER: BRD/TS FILE NAME: 158802d FILE DATE: 21-Sep-99 NO.SHEETS: 7